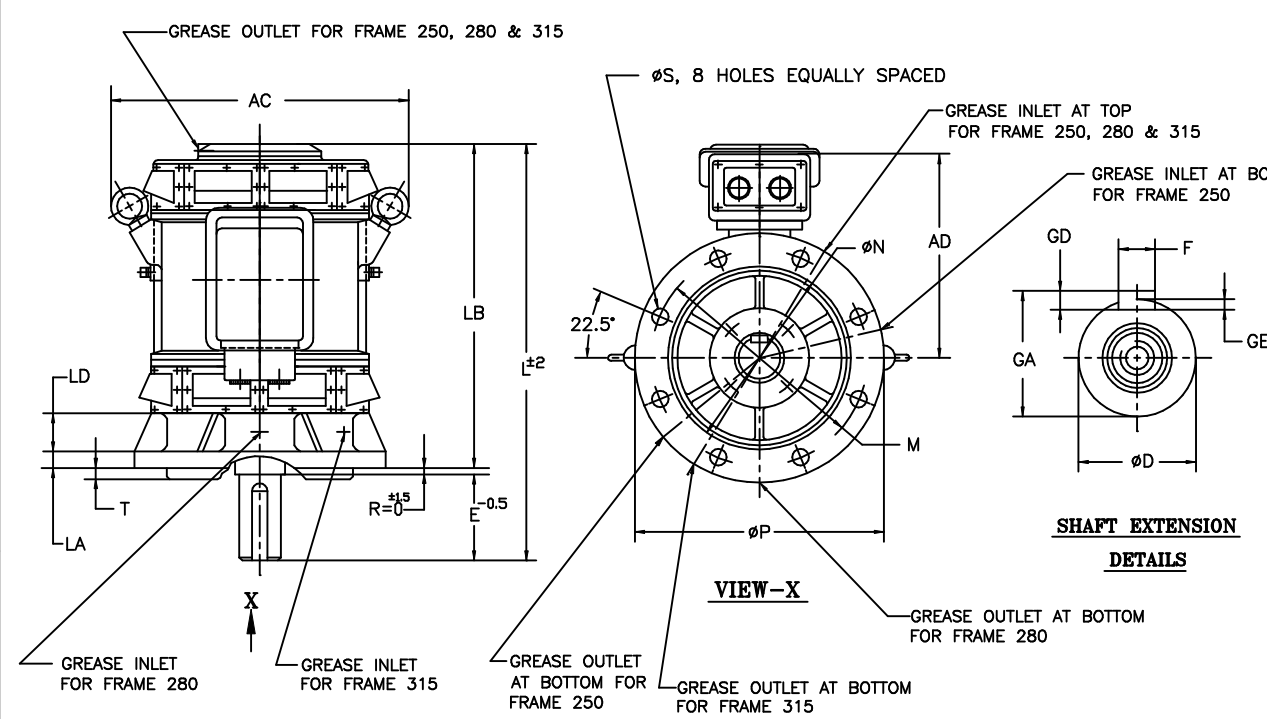


AS PER KSD-02-027

ALL INFORMATION CONTAINED IN THIS DOCUMENT IS CONFIDENTIAL AND THE PROPERTY OF KIRLOSKAR ELECTRIC CO. LTD. REPRODUCTION OF THIS IN ANY FORM IS TO BE DONE WITH THE SPECIFIC PERMISSION OF THE COMPANY.

UNMENTIONED  
 ANGLES ± 1/2°  
 RAD: 0 6 315 1000 2000 4000  
 UC: 315 1000 2000 4000 8000  
 CHAM: 4000 2000 4000 8000  
 LINEAR DIMENSIONS (MACHINED)  
 ABOVE UPTO TOLERANCE  
 ±0.2 ±0.5 ±0.8 ±1.2 ±2 ±3



- NOTE:-**
- DIMENSIONS ARE AS PER IS:1231 & 2223, TYPE 'B' FLANGE.
  - DEGREE OF PROTECTION IP:23
  - TOLERANCE ON D: m6
  - PROTECTED CENTRE HOLE  
 M20 x 40 DEEP FOR "D" 75 & 80  
 AND M24 x 50 DEEP FOR "D" 90  
 AS PER IS:2540 AT SHAFT EXTENSION.
  - TOLERANCE ON 'M': ±1
  - TOLERANCE ON 'N': js6

VSA 315	4, 6, & 8	900	670	90	170	25	95	14	9	1280	25	1110	90	740	680	800	0	24	6
VSA 280	4, 6, & 8	785	625	80	170	22	85	14	9	1150	22	980	76	600	550	660	0	24	6
VSA 250	4, 6, & 8	745	506	75	140	20	79.5	12	7.5	960	22	820	—	600	550	660	0	24	6
FRAME	POLE	AC	AD	D	E	F	GA	GD	GE	L	LA	LB	LD	M	N	P	R	S	T

THIS SUPERSEDES ..... FROM dt .....-SIGN & dt. ....  
 THIS SUPERSEDED BY ..... FROM dt .....-SIGN & dt. ....

MATERIAL SPECIFICATION	RAW MATERIAL SIZE	WEIGHT kg
		RM FIN.
CASTING/FAB REF.	No.P.S.:	

SCALE NTS

USED ON

**VSA 250 TO 315**

DRAWN	CHECKED	APPROVED
-Sd-	-Sd-	-Sd-
dt. 21/10/98	dt. 21/10/98	dt. 21/10/98

TITLE:

**DIMENSIONAL DRAWING**

SHEET NO. **01/2** OF **01/2**

**KIRLOSKAR ELECTRIC COMPANY LTD. BANGALORE - 560055 (INDIA)**

REV.	ZONE	BRIEF RECORD	SIGNATURE	DATE	MKTG.AC.M SHOP II	PRINTS ISSUED TO
8	7	6	5			

FORM No. 11401033